

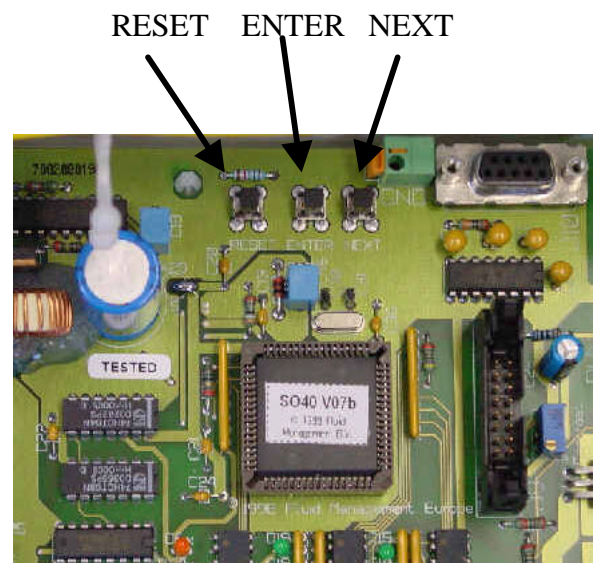
Technical Newsletter

CHANGING SETTINGS SO-40A BOARD 1860746

On the powerboard of the SO-40a you can easily change some parameters like pressure and shaketimes.

Follow the procedure discribed below:

- Press next and reset together
- Now you entered “parameter test mode”
- Go with “next” throu parameters
- Change parameter with “up” and T1 button
- Confirm with “enter”
- Go with “next” till you reach “parameter test mode” screen
- Now press “reset”
- Finish



For more information please contact our Service Department at:

Telephone: 0031-(0)252 240 842

Fax: 0031-(0)252 240 882

E-mail: SERVICE@FLUIDMAN.NL